

## NA4908-2RSR-XL

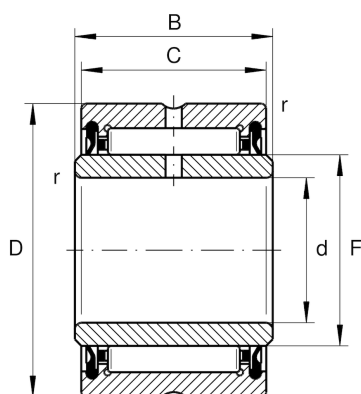
### Needle roller bearing

Schaeffler ID:  
0507752430000

Needle roller bearings NA49..-2RSR,  
dimension series 49, lip seals on both  
sides

X-life

## Technical information



### Main Dimensions & Performance Data

d	40 mm	Bore diameter
D	62 mm	Outside diameter
B	23 mm	Width, inner ring
$C_r$	41,000 N	Basic dynamic load rating, radial
$C_{0r}$	53,000 N	Basic static load rating, radial
$C_{ur}$	9,000 N	Fatigue load limit, radial
$n_{G \text{ Grease}}$	5,500 1/min	Limiting speed for grease lubrication
	237.76 g	Weight

### Dimensions

F	48 mm	Raceway diameter inner ring
C	22 mm	Width, outer ring
$r_{\min}$	0.6 mm	Minimum chamfer dimension

### Temperature range

$T_{\min}$	-20 °C	Operating temperature min.
$T_{\max}$	100 °C	Operating temperature max.